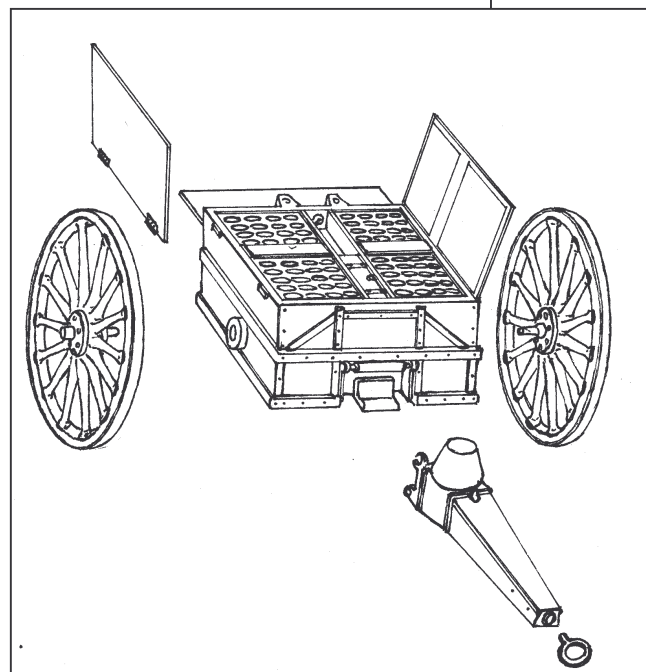
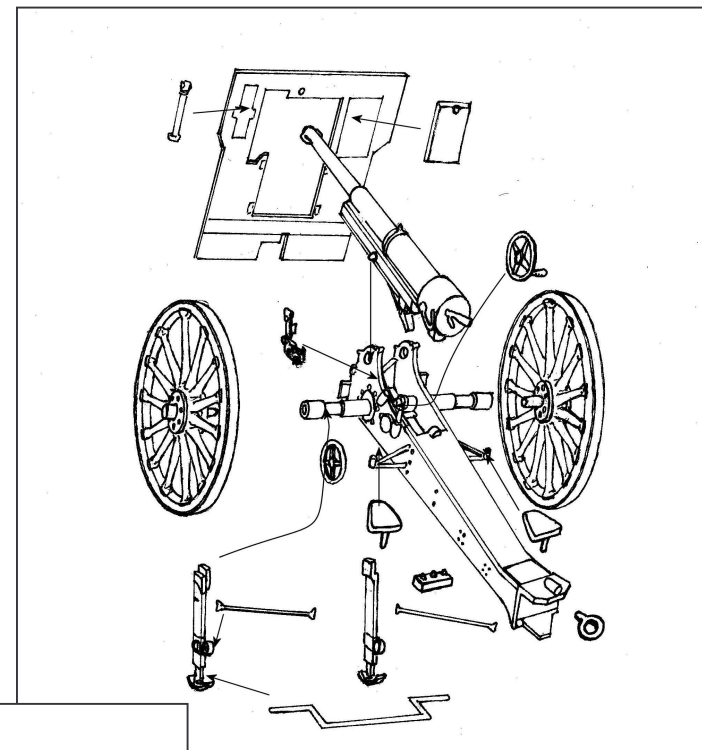




Cat. No. 7209
75mm field gun Schneider 1897
with ammo cart

This is really the history maker amongst the guns. First design to be produced with the sliding barrel, which enhanced all the performances of the artillery. Well known as "french 75" was used by the many armies during first and also second World War. Between the wars had these guns also Polish and Czechoslovak army, it was used by Czech troops in West during the war. Our kit depicts the most used "Mark 1897" variant, used also at the early stages of the war. German Wehrmacht used large numbers of these guns, captured all over the Europe, on Eastern front. Various armies had Schneider guns in service for unbelievable long 44 years.



Not suitable for children because of small parts. Use cyanoacrylate glue.
Work in good ventilated area, do not eat and drink during the work.

This kit is product of PROFIKIT Models.
Made in Czech Republic, © 2005

PROFIKIT logo and name are registered
properties of Renée Šubrtová –
PROFIKIT.

See our web:

www.sweb.cz/profikit