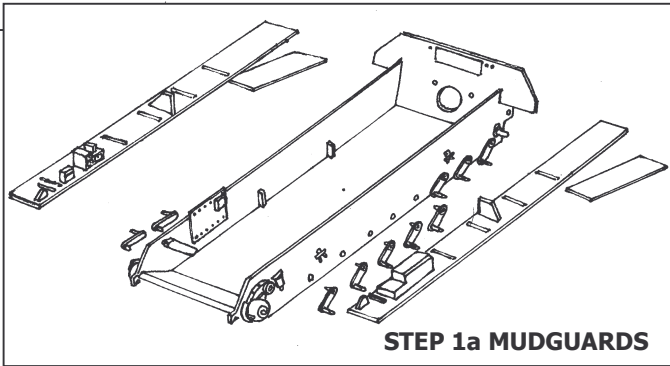
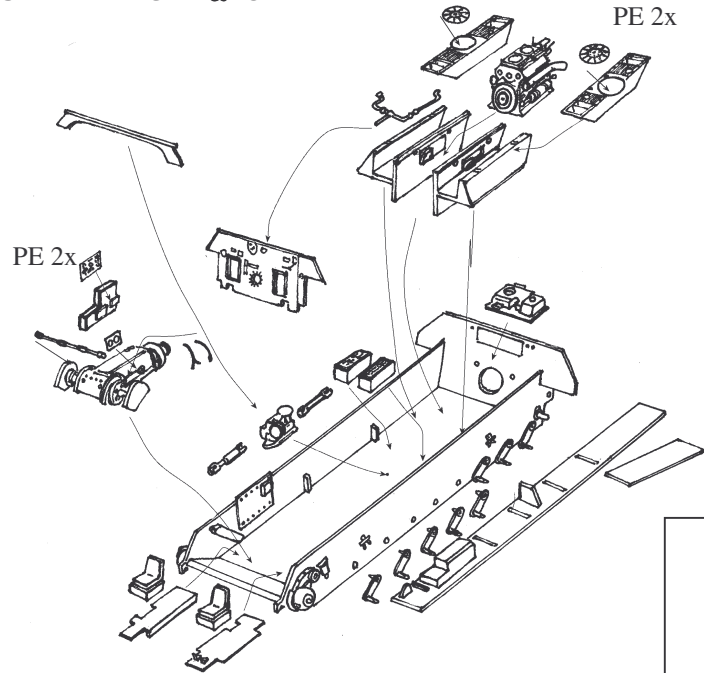




Cat. No. 9202
Pz. V „Panther“ A/D detail set
for model REVELL

STEP 1 – ENGINE&BODY



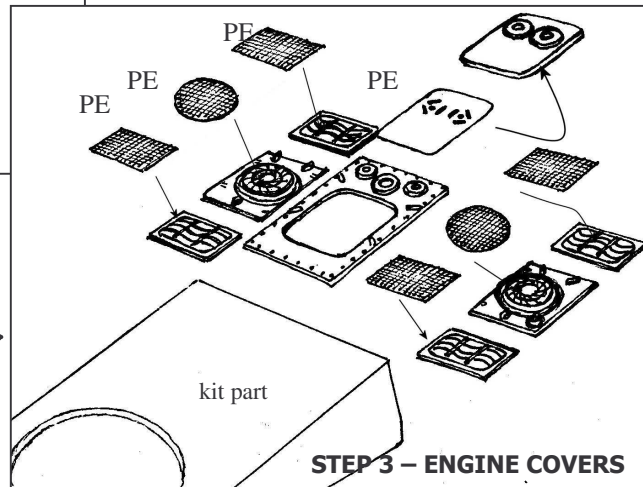
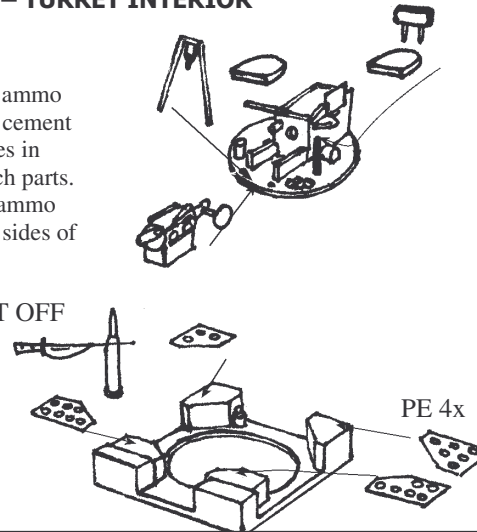
STEP 1a MUDGUARDS

Not suitable for children because of small parts. Use cyanoacrylate glue.
Work in good ventilated area, do not eat and drink during the work.

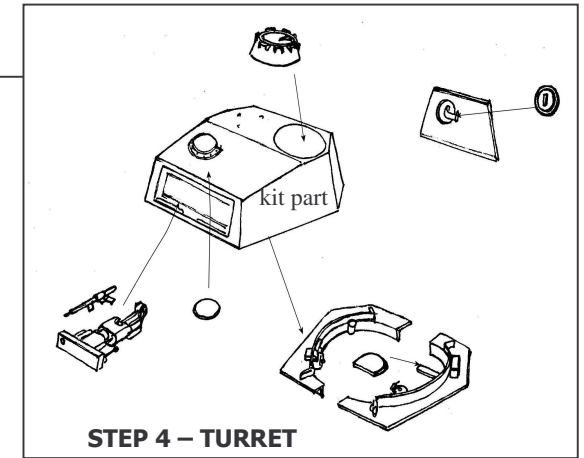
STEP 2 – TURRET INTERIOR

Cut off ammo tips and cement into holes in photoetch parts. Rest of ammo place in sides of interior

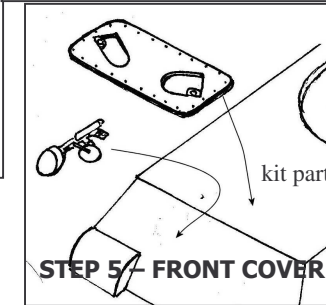
CUT OFF



STEP 3 – ENGINE COVERS

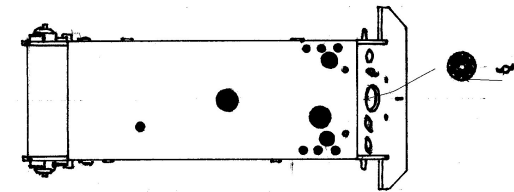


STEP 4 – TURRET



STEP 5 – FRONT COVER

STEP 6 – PHOTOETCH COVERS, BOTTOM



This detail set is product of PROFIKIT Models.
Made in Czech Republic, © 2004/2005

PROFIKIT logo and name are registered properties of Renée Šubrtová – PROFIKIT.

See our web:

www.sweb.cz/profikit
for our other products

PE – photoetched part
kit part – original part of the REVELL kit